

Specifications

Model Name		RTV400Ci		RTV500	
Engine	Type	1-cylinder, Gas, OHC, Air-cooled, EFI		2-cylinder, Gas, OHC, Water-cooled, EFI	
	Displacement	cu. in. (cc)	24.6 (404)	27.8 (456)	
	Horsepower	HP (kW) / rpm	14.6 (10.9) / 4800**	15.8 (11.8) / 3600**2	
Fuel tank capacity	U.S. gals (ℓ)	5.2 (20)			
Transmission		CVT PLUS Continuously Variable Transmission (CVT) with Inertial Clutch		VHT PLUS Variable Hydro Transmission	
Max. traveling speed	mph (km/h)	25 (40)			
Wheels, drive system		4, 4WD w/2WD selection			
Differential lock		Standard; hand operated with mechanical holder			
Gear selection		Hi-Lo range forward, neutral, reverse			
Brakes	Front / Rear	Dry-disc brakes			
	Parking brake	Rear wheel, hand lever			
Steering		Rack & Pinion			
Suspension		Independent, Mac-Pherson strut-type / Semi-independent, multi-link			
Dimensions	Length	in. (mm)	105.9 (2690)		
	Width	in. (mm)	54.7 (1390)		
	Height, overall	in. (mm)	72 (1829)		
	Front tread centers	in. (mm)	40 (1016)		
	Rear tread centers	in. (mm)	41 (1041)		
	Wheelbase	in. (mm)	70.9 (1800)		
	Ground clearance front/rear axle	in. (mm)	8.1 (205) / 6.9 (172)		
	Turning diameter	ft. (m)	22.4 (6.8)		
Max. rolling weight (towing capacity)	lbs. (kg)	1102 (500)			
Payload capacity	lbs. (kg)	999 (453)		949 (430)	
Weight	lbs. (kg)	1246 (565) with ATV tires, 1257 (570) with HDWS Tires		1358 (615) with ATV Tires, 1369 (620) with HDWS Tires	
Cargo bed	Width × Length × Depth	in. (mm)	40.6 (1032) × 33.7 (856) × 11.4 (290)		
	Volume	cu. ft. (m³)	9.0 (0.25)		
	Bed height (unloaded)	in. (mm)	30.9 (785)		31.9 (810)
	Cargo bed load	lbs. (kg)	441 (200)		
Tires	Front	24 × 9-12 ATV, 6PLY			
		24 × 9-12 HDWS, 6PLY			
	Rear	24 × 11-12 ATV, 6PLY			
		24 × 11-12 HDWS, 6PLY			
Body color		Orange, Camouflage (Realtree®*3 Hardwoods®)			
Speedometer		Opt.			
Front guard		Opt.			
Headrest		Opt.			

* SAE J 1349

** SAE J 1940 Net

** Realtree® is a registered trademark of Jordan Outdoor Enterprises, Ltd.

Kubota Tractor Corporation reserves the right to change the stated specifications without notice. This brochure is for descriptive purposes only and reasonable efforts were used to set forth the contained information; some items shown may be optional and some products shown may not be available at all dealerships. Kubota disclaims all representations and warranties, express or implied, or any liability from the use of this brochure. For complete warranty, safety and product information, consult your local Kubota dealer and the operator's manual. Power (HP/KW) and other specifications are based on various standards or recommended practices. For your safety, Kubota strongly recommends the use of a Rollover Protective Structure (ROPS) and seat belt in almost all applications. This brochure is intended for the United States and US territories only. For information regarding Kubota products or services outside these areas, see Kubota Corporation's global web site. Kubota does not provide parts, warranty or service for any Product which is re-sold or retailed in any country other than the country for which the Product(s) were designed or manufactured.

Kubota

KUBOTA TRACTOR CORPORATION

1000 Kubota Drive, Grapevine, TX 76051 Tel 888-4 KUBOTA

Visit our web site at: KubotaUSA.com

©2019 Kubota Corporation



Kubota
Genuine Parts
for maximum
performance,
durability and
safety



V

KUBOTA 4WD GASOLINE UTILITY VEHICLE

RTV400Ci / RTV500

For Earth, For Life
Kubota



Cat.No.2390-01-US Printed in Japan.D.REX.'19-MAR.

RTV400 *Li*

- Responsive 14.6HP Gasoline Engine
- Continuously Variable Transmission with Inertial Clutch (CVT Plus)
- Standard 4-Wheel Drive



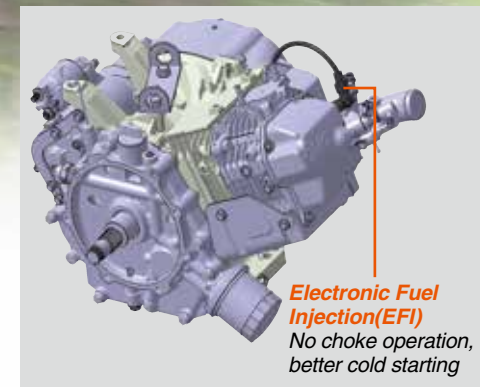
RTV500

- Smooth, quiet 15.8HP Gasoline Engine
- Exclusive Variable Hydro Transmission (VHT Plus)
- Standard 4-Wheel Drive



Introducing the gas-powered 4WD RTV400Ci featuring mid-size utility, agility, and legendary Kubota reliability

Featuring a robust, heavy-duty platform, electronic fuel injection (EFI) and an advanced Continuously Variable Transmission with inertial clutch (CVT Plus) for excellent response and reliability, the 4WD RTV400Ci will be at your ready, whether you're surveying your property or jobsite, caring for livestock, or hunting in the woods.



Electronic Fuel Injection (EFI)
No choke operation, better cold starting

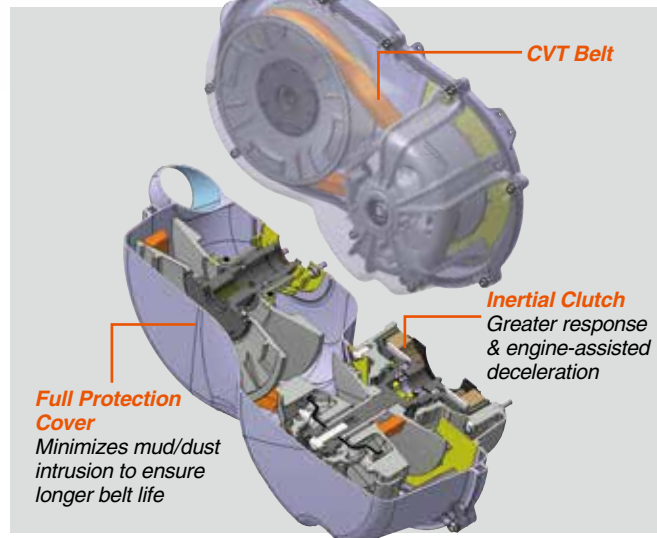
14.6HP Air-cooled EFI Gasoline Engine

The RTV400Ci incorporates a new, high-revving 14.6HP air-cooled, single-cylinder gasoline engine that was developed to meet Kubota's stringent performance specifications and durability requirements. This engine also features an Electronic Fuel Injection (EFI) system that helps eliminate cold starting issues and annoying manual choke adjustments that plague competitors' carbureted utility vehicles.

CVT Plus

(Continuously Variable Transmission with Inertial Clutch)

The RTV400Ci's CVT Plus is virtually worry free. The exclusive inertial clutch keeps the thick, double cogged-belts tight for minimal slippage, resulting in greater response and much better durability than the competitors' belt-drive systems. As an additional plus, the inertial clutch provides noticeable dynamic braking to help maintain control during descents with engine-assisted deceleration. And for more plus, CVT Plus has a full protection cover to minimize mud or dust intrusion, enhancing durability and enabling a longer belt life.



Full Protection Cover
Minimizes mud/dust intrusion to ensure longer belt life

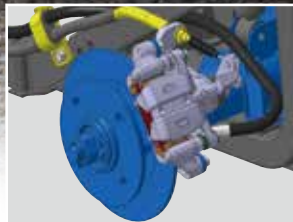
CVT Belt

Inertial Clutch
Greater response & engine-assisted deceleration

Standard Rollover Protective Structure (ROPS)



Robust, reliable semi-independent rear suspension



4-wheel disc brakes



Comfortable Operator Area

Get in and get going. The RTV400Ci features ergonomic, well-placed controls for easy operation, and a comfortable contoured bench seat, so both the driver and passenger can enjoy a full day of work or play. The low operator platform offers ample and obstacle-free leg room, so it's simple to step on or off.



Designed for Convenient Transportation

Kubota specifically designed the RTV400Ci's compact frame to make it easy to load into the bed of a full-size long bed pickup truck*. It's ideal for camping, hunting, or any rugged outdoor adventure.



54.7 inches

72 inches

* Always secure RTV with proper tie-downs, especially with open tailgate.



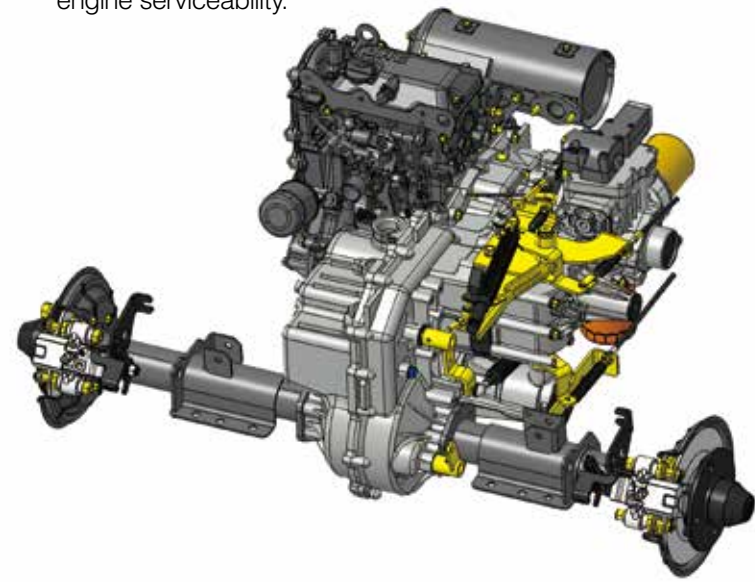
KUBOTA UTILITY VEHICLE
RTV400

The RTV500—advanced technology from Kubota delivers exceptional performance and reliability in a compact size.

Whether you're tending a park, hunting in the woods, or simply roaming your property, let Kubota's RTV500 take you wherever you need to go. This quiet utility vehicle features Kubota's durable liquid-cooled EFI gasoline engine, variable hydrostatic transmission, and more—all packed into a compact body. Used for a variety of applications, it's powerful and rugged enough to handle uneven terrain, yet it can fit into the bed of a full-size pickup truck, so you can take it with you. With all of this and more, you can rest assured that the high-performance RTV500 is always at the ready, no matter where you want to go.

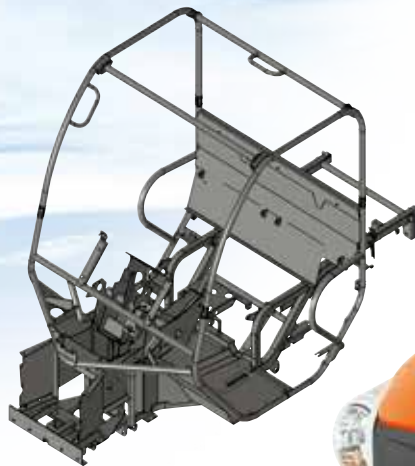
Kubota Liquid-cooled EFI Gasoline Engine

The RTV500's smooth 15.8HP, 2-cylinder Kubota gasoline engine is liquid-cooled to ensure reliability and minimize noise and vibration, reducing operator fatigue and increasing efficiency. The engine features an Electronic Fuel Injection (EFI) system that provides on-demand power, optimizes acceleration and enhances quiet operability. Plus, the EFI eliminates the need to adjust the carburetor—enabling better engine start-up in cold weather or after long-term storage, and improving engine serviceability.



VHT Plus (Variable Hydro Transmission)

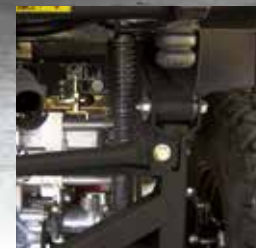
Kubota's exclusive and innovative hydrostatic transmission provides the RTV500 with an exceptional level of performance, handling, and reliability under tough conditions. Approach long downhill grades with confidence utilizing the VHT Plus' smooth, engine-assisted deceleration. In addition, the VHT offers outstanding traction and impressive power, providing the muscle to take you almost anywhere.



Standard Rollover Protective Structure (ROPS)



Shown with optional front guard.



Robust, reliable semi-independent rear suspension

Comfortable Operator Area
Get in and get going. The RTV500 features ergonomic, well-placed controls for easy operation, and a comfortable contoured bench seat, so both the driver and passenger can enjoy a full day of work or play. The low operator platform offers ample and obstacle-free leg room, so it's simple to step on or off.



Designed for Convenient Transportation
Kubota specifically designed the RTV500's compact frame to make it easy to load into the bed of a full-size long bed pickup truck*. It's ideal for camping, hunting, or any rugged outdoor adventure.



*Always secure RTV with proper tie-downs, especially with open tailgate.



KUBOTA UTILITY VEHICLE
RTV500